



HARLSAN

BLOWDOWN VALVE

**Product and Maintenance
Guide**



BLOWDOWN VALVE

Application and Operation

Application:

RC exploration and grade control drilling with either hammer or, air core drilling.

- Rod string blockages – Clears blockages by enabling a reverse blast of compressed air to be pulsed down the sample rod string
- Grade control – Significantly improves rod string extraction by back flushing drilling residues clear of completed sample holes prior to extraction.
- Sample Purity – Improves sampling purity through back flushing of the rod string between samples.
- Bit face blockages – Enables DTH back flushing and cleaning of the bit face

Specification:

To suit 3 ½", 4" and 4 ½" rod strings

Operational:

- Blowdown piston is positioned using hydraulic actuation.
- Compressed air is applied to the rod string through ports in the piston mechanism.

Maintenance and Service:

- Piston seal kits and wear sleeve kits available
- Life extension – reconditioning service for pistons and valve bodies available.
- Parts available as per parts list. Email sales@harlsan.com.au for maintenance instructions.
- Adaptor seal plates available

Ordering Details:

Please Note:– The drill string head wear tube sleeves into the blowdown valve body, sealing against o-rings in the bottom wear collar. Hence, when ordering, the head wear tube sizing specification is required and in some instances, the head wear tube may require machining to suit.

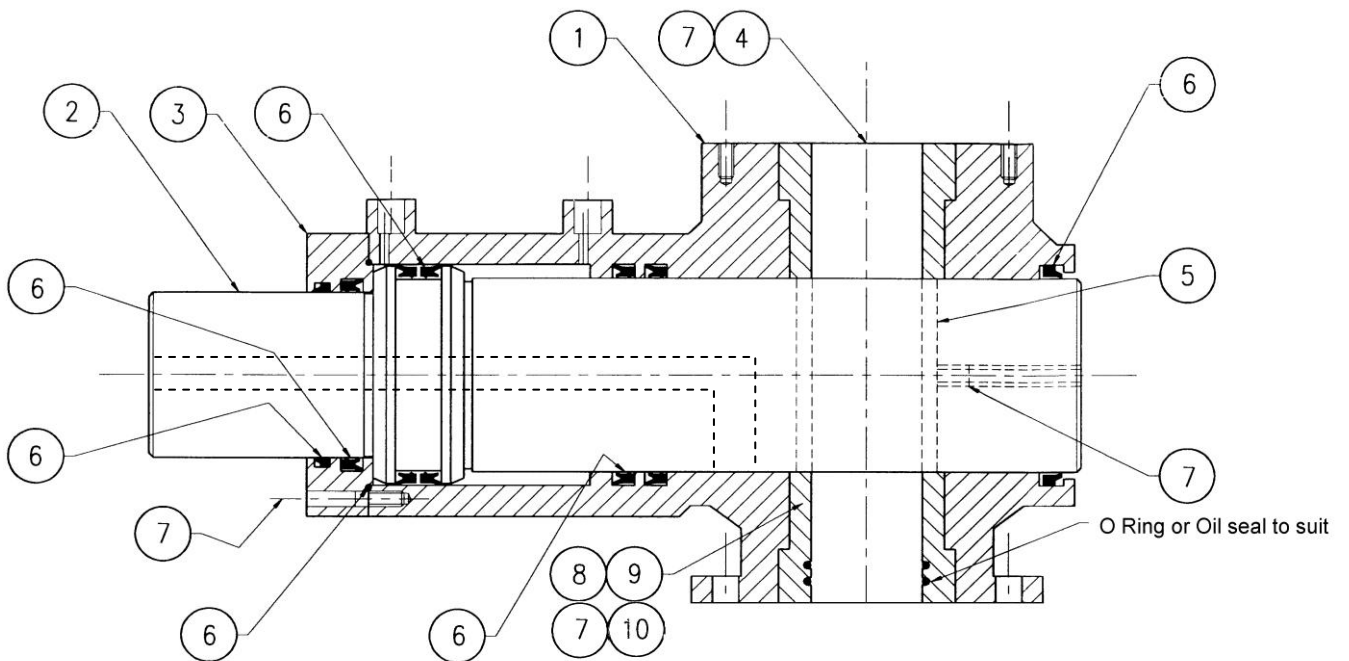


HARLSAN

BLOWDOWN VALVE

PARTS LIST

Part No.	Part No.	DESCRIPTION	QTY
1	HB10002	Hyd. Blow Down, Body	1
2	HB10019	Hyd. Blow Down, Piston, Blow Down	1
3	HB 10023	Hyd. Blow Down, End Cap	1
4	HB10016	Hyd. Blow Down, Wear Sleeve, Top	1
5	HB10012	Hyd. Blow Down, Wear Sleeve, Middle	1
6	HB10005	Hyd. Blow Down, Seal Kit	1
7	HB10029	Hyd. Blow Down, Bolt/Grub Screw Kit	1
Choose one bottom wear sleeve from options below:			
8, or	HB10010	Hyd. Blow Down, Wear Sleeve, Bottom, O-Ring Type	1
9, or	HB10011	Hyd. Blow Down, Wear Sleeve, Bottom, Seal Type	1
10	HB10027	Hyd. Blow Down, Wear Sleeve, Bottom, Blank	1





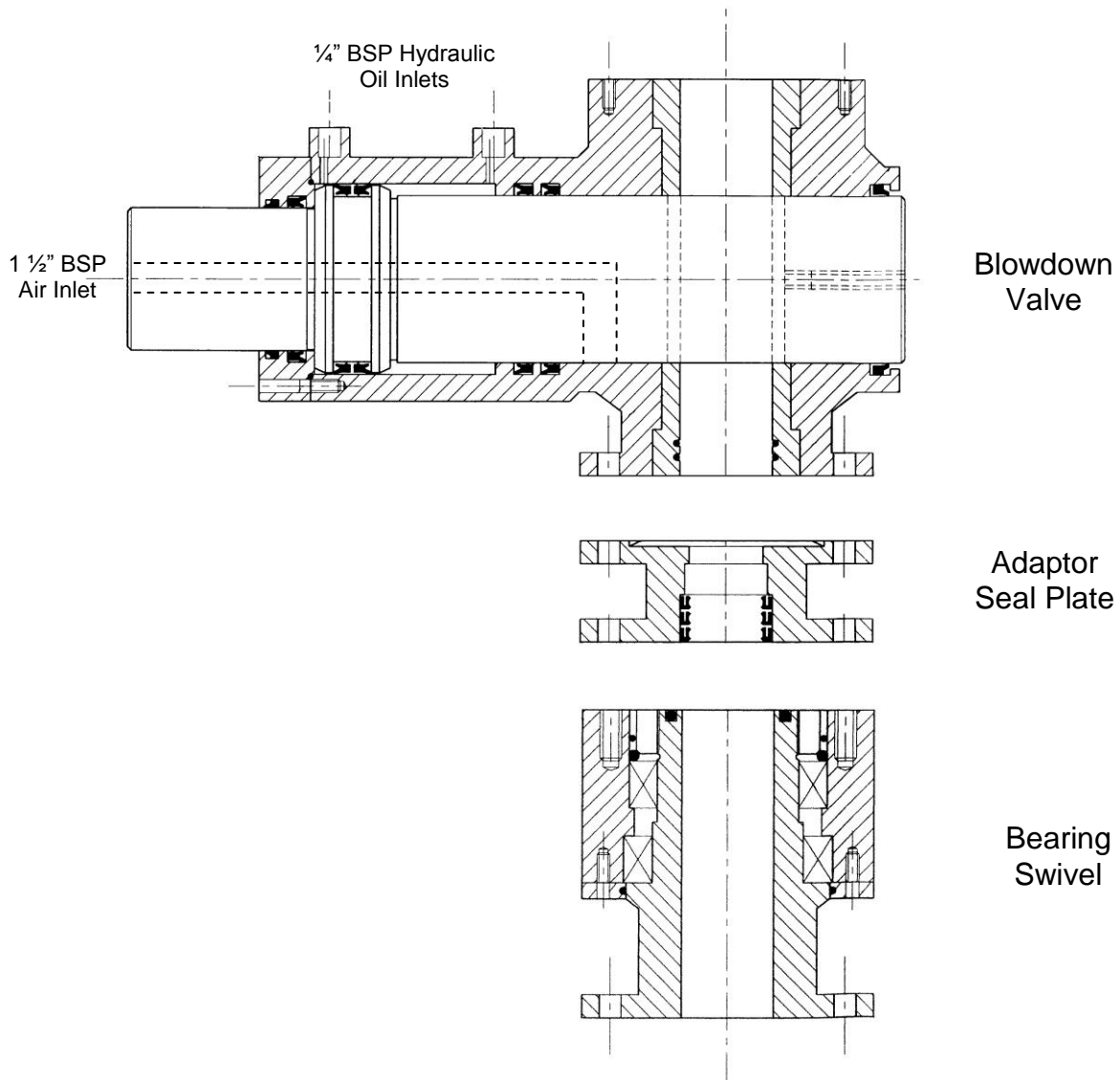
BLOWDOWN VALVE

Recommended Coupling Configuration

Recommendation – Fit an adaptor seal plate between the blowdown valve and the top bearing swivel.

The insertion of an adaptor seal plate between the blowdown valve body and the top bearing swivel introduces an extra level of seal protection against contaminant ingress. When using this configuration, the head wear tube is sealed in two separate locations:

1. In the adaptor seal plate – three oil seals
2. In the bottom wear sleeve of the blowdown valve – two o-rings

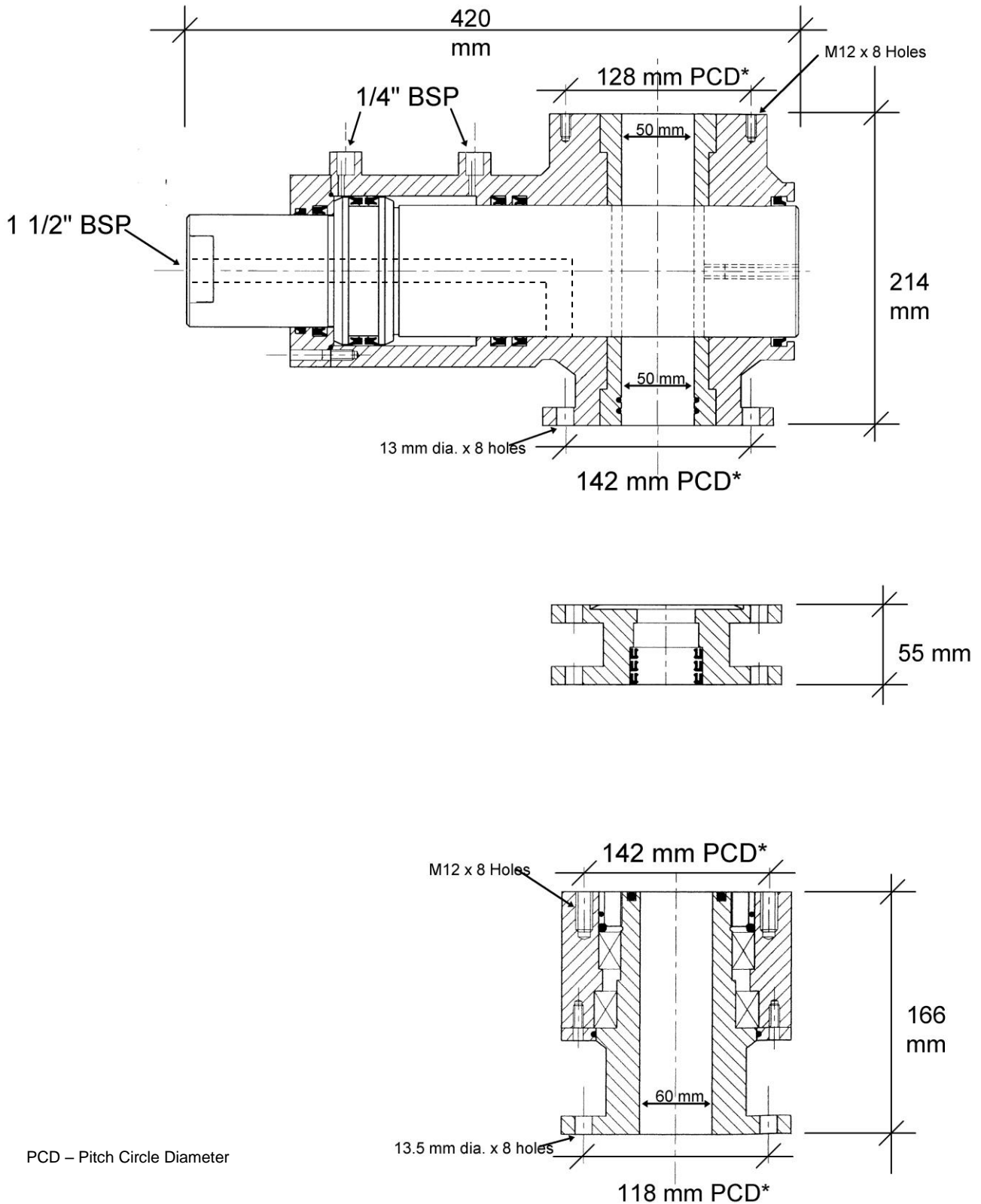




HARLSAN

BLOWDOWN VALVE

Key Dimensions





BLOWDOWN VALVE

Suggested Hydraulic Circuit

